

θ_x/θ_y axes | XD503.T10S/K

Piezo Tip/Tilt Stage



Introduction

XD503.T10S/K piezo tilt/tip platform does the motion in θ_x and θ_y direction, its range of travel up to $\pm 5\text{mrad}$.

Characteristics >>

- Motion in θ_x , θ_y
- Tilt angle to $\pm 5\text{mrad}@150\text{V}$
- Closed-loop version for high accuracy

Applications >>

- Laser beam deflection
- Laser beam combining
- Beam scanning
- Interference/metering
- Heavy mirror holder deflection
- Space perturbation simulation system
- Calibration of acceleration sensor
- Calibration of angular velocity sensor



Harbin Core Tomorrow Science & Technology Co., Ltd.

Tel: +86-451-86268790

Email: info@coremorrow.com

Headquarters: Building I2, No.191 Xuefu Road, Nangang District, Harbin

Fax: +86-451-86267847

Web: www.coremorrow.com

Shanghai Office: Building 2, No.608 Shengxia Road, Pudong District, Shanghai

Technical Data >>

Type	XD503.T10S/K	Units
Active axes	θ_x, θ_y	
Tilt angle(0~150V)	± 5	mrad $\pm 20\%$
Integrated sensor	SGS	
Load capacity	Upright 2/Lateral 0.02/Inverted 0.1	kg $\pm 5\%$
Open-loop resolution(5mV)	0.1/0.4	$\mu\text{rad}\pm 20\%$
Unloaded resonant frequency	200	Hz $\pm 20\%$
Resonant frequency @2kg load	60	Hz $\pm 20\%$
Linearity	0.2	%F.S.
Repeatability	0.15	%F.S.
Mass(Not include cable)	<1.3	kg $\pm 5\%$
Operating temperature ^[1]	-20~80	$^{\circ}\text{C}$
El. capacitance	57.6	$\mu\text{F}/\text{axis}\pm 20\%$
Material	Aluminium	
Mass	1300(not include cable)	g $\pm 5\%$
Cable length ^[2]	1.5	m $\pm 10\text{mm}$

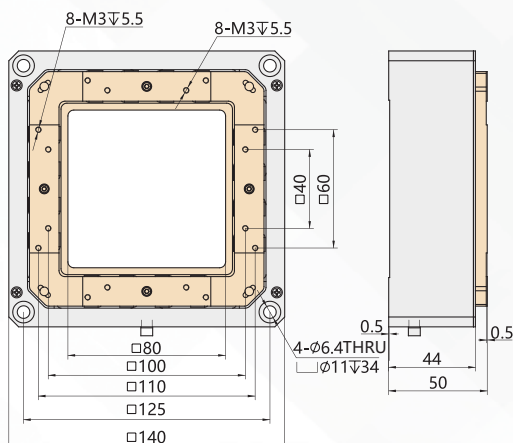
Note: Technical data are measured by CoreMorrow E00/E01 series piezo controller. Max driving voltage could be -20V~150V, 0~120V is recommended for long-term and high-reliable operation. Unless otherwise specified, the above parameters are measured at room temperature about 25 $^{\circ}\text{C}$.

[1] Custom ultralow temperature and ultrahigh vacuum versions are available.

[2] Custom cable length and connector is available.

Note: The parallelism of the moving platform is about 20 μm , and the roughness is about 1.6 to 3.2. Please contact the sales engineer for confirmation before purchase.

Drawing >>



Recommended Controllers >>



E01.D3
 LCD, membrane button, up to 625mA
 RS-232/RS-422/USB interface
 Software secondary development



E70
 Small size, ave current 70mA/channel
 RS-232/RS-422/USB interface
 Software secondary development



Harbin Core Tomorrow Science & Technology Co., Ltd.

Tel: +86-451-86268790 Email: info@coremorrow.com

Fax: +86-451-86267847 Web: www.coremorrow.com

Headquarters: Building I2, No.191 Xuefu Road, Nangang District, Harbin

Shanghai Office: Building 2, No.608 Shengxia Road, Pudong District, Shanghai