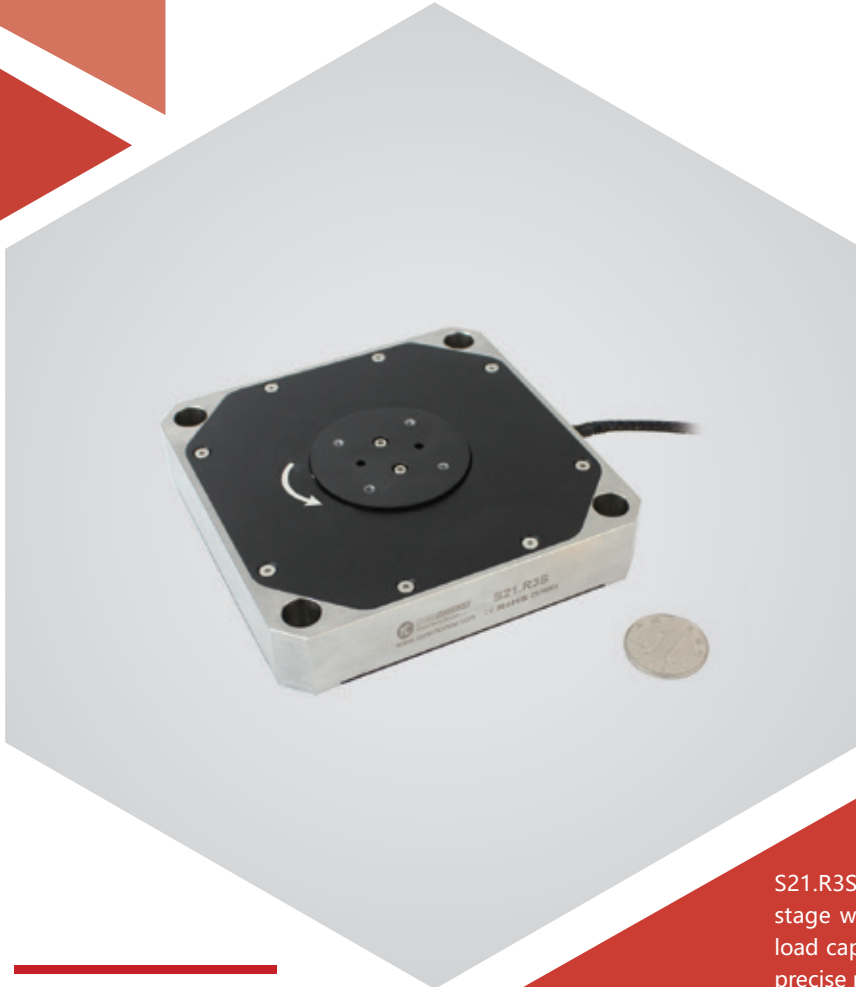


θ_z axis | S21.R3S/K Piezo Rotation Stage



Introduction

S21.R3S/K piezoelectric rotation stage is a θ_z rotation stage with small size, a rotation angle of 3mrad and a load capacity of 0.5kg, which can drive the lens to make precise rotation motion.

Characteristics >>

- θ_z rotary motion
- Rotation angle range to 3mrad
- Small size
- Closed loop for high accuracy
- Fast response
- For calibration of angular velocity sensor

Applications >>

- Optical beam scanning
- Light path adjustment
- Graphical stability
- Interference/metering
- Large loading tilt motion
- Space perturbation simulation system
- Calibration of acceleration sensor
- Calibration of angular velocity sensor



Harbin Core Tomorrow Science & Technology Co., Ltd.

Tel: +86-451-86268790

Email: info@coremorrow.com

Headquarters: Building I2, No.191 Xuefu Road, Nangang District, Harbin

Fax: +86-451-86267847

Web: www.coremorrow.com

Shanghai Office: Building 2, No.608 Shengxia Road, Pudong District, Shanghai

Technical Data >>

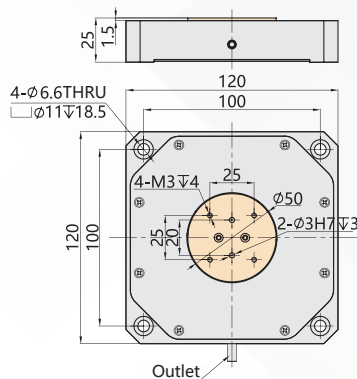
Type	S-Closed loop K-Open loop	S21.R3S	S21.R3K	Units
Active axis		θz	θz	
Rotation angle(0~120V)		2.4	2.4	mrاد±20%
Rotation angle(0~150V)		3	3	mrاد±20%
Integrated sensor		SGS	-	
Resolution		0.3	0.03	μrad±20%
Closed-loop linearity		0.3	-	%F.S.
Closed-loop repeatability		0.1	-	%F.S.
Unloaded resonant frequency		700	700	Hz±20%
Resonant frequency @0.5kg load		120	120	Hz±20%
Load capacity		0.5	0.5	kg
Operating temperature ^[1]		-20~80	-20~80	°C
El. capacitance		5.4	5.4	μF±20%
Material		Al, steel	Al, steel	
Mass(not include cable)		1.8	1.8	kg±5%
Cable length ^[2]		1.5	1.5	m±10mm
Mass		1635	1635	g±5%

Note: Technical data are measured by CoreMorrow E00/E01 series piezo controller. Max driving voltage could be -20V~150V, 0~120V is recommended for long-term and high-reliable operation. Unless otherwise specified, the above parameters are measured at room temperature about 25° C.

[1] Custom ultralow temperature and ultrahigh vacuum versions are available.

[2] Custom cable length and connector is available.

Note: The parallelism of the moving platform is about 20μm, and the roughness is about 1.6 to 3.2. Please contact the sales engineer for confirmation before purchase.

Drawing >>

Recommended Controllers >>


E01.D1
 LCD, membrane button, up to 625mA
 RS-232/RS-422/USB interface
 Software secondary development



E53
 Small size, 60mA
 RS-232/RS-422/USB interface
 Software secondary development



Harbin Core Tomorrow Science & Technology Co., Ltd.

Tel: +86-451-86268790 Email: info@coremorrow.com
 Fax: +86-451-86267847 Web: www.coremorrow.com

Headquarters: Building I2, No.191 Xuefu Road, Nangang District, Harbin
 Shanghai Office: Building 2, No.608 Shengxia Road, Pudong District, Shanghai