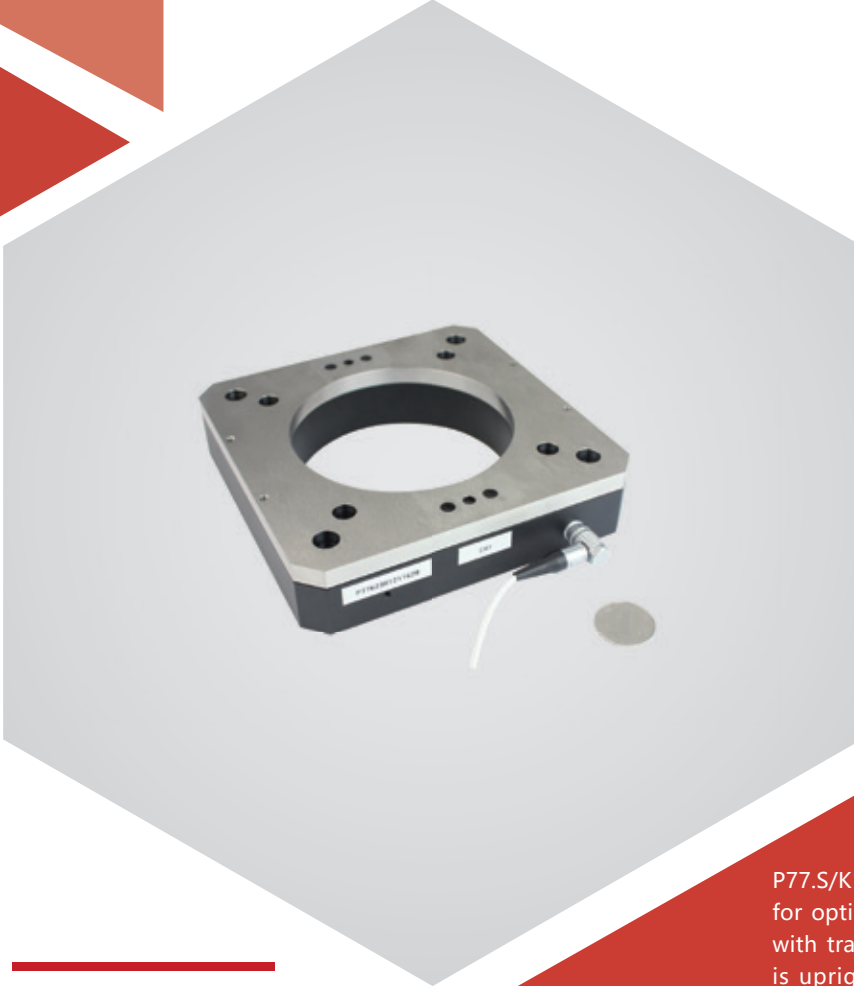


Z axis | P77.S/K106A

Piezo Phase Shifter



Characteristics >>

- Active axes Z
- Stroke to 17.5 μ m
- Max load to 10kg
- Aperture size: Φ 106mm
- Custom versions are available

Applications >>

- Optical trapping
- Surface inspection
- Precision positioning
- Microscopic imaging
- Phase shifter
- Phase shifting/interference/metering

Introduction

P77.S/K106A piezo phase shifter is specially designed for optical detection and phase shifting applications, with travel range of up to 17.5 μ m and load capacity is upright 10kg, lateral 5kg, inverted 5kg, which is very suitable for large-aperture optical inspection equipment, like laser interferometer, for various lenses. Custom versions are available.



Harbin Core Tomorrow Science & Technology Co., Ltd.

Tel: +86-451-86268790

Email: info@coremorrow.com

Headquarters: Building I2, No.191 Xuefu Road, Nangang District, Harbin

Fax: +86-451-86267847

Web: www.coremorrow.com

Shanghai Office: Building 2, No.608 Shengxia Road, Pudong District, Shanghai

Technical Data >>

Type	S-Closed loop K-Open loop	P77.S106A	P77.K106A	Units
Active axis		Z	Z	
Travel range(0~120V)		14	14	μm±10%
Travel range(0~150V)		17.5	17.5	μm±10%
Sensor		SGS	-	
Aperture		Φ106	Φ106	mm
Resolution		0.5	0.2	nm
Pitch/yaw/roll		<10		μrad
Push/pull force capacity		100/20		N
Unloaded resonant frequency		150		Hz±20%
Unloaded Step time		3.5	3.5	ms±20%
Load capacity		upright 10, lateral 5, inverted 5		kg
El. capacitance		7.2		μF±20%
Operating temperature ^[1]		-20~80		°C
Material		Aluminum, steel		
Size(L×W×H)		160×160×35		mm
Mass		1900(not include cable)		g±5%
Cable length ^[2]		1.5		m±10mm
Sensor/voltage connector ^[2]		LEMO		

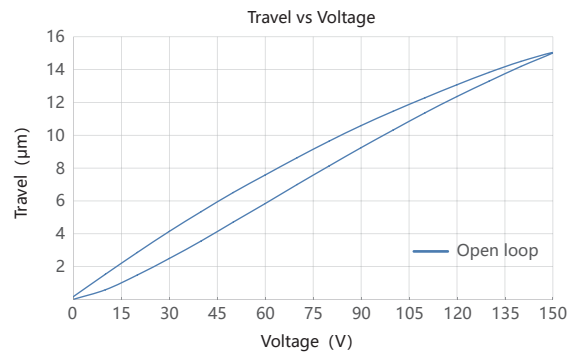
Note: Max driving voltage could be -20V~150V, 0~120V is recommended for long-term and high-reliable operation. Unless otherwise specified, the above parameters are measured at room temperature about 25° C.

[1] Custom ultralow temperature and ultrahigh vacuum versions are available.

[2] Custom cable length and connector is available.

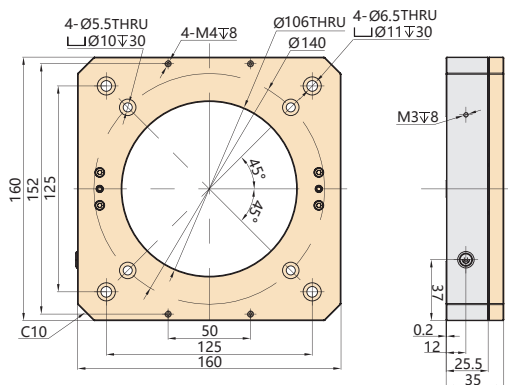
Note: The parallelism of the moving platform is about 20μm, and the roughness is about 1.6 to 3.2. Please contact the sales engineer for confirmation before purchase.

Curves >>



Disclaimer: The data here are typical, only for reference. Some variations will occur for different batch.

Drawing >>



Recommended Controllers >>



E53
Small size, 60mA
RS-232/RS-422/USB interface
Software secondary development



E70
Small size, ave current 70mA/channel
RS-232/RS-422/USB interface
Software secondary development



Harbin Core Tomorrow Science & Technology Co., Ltd.

Tel: +86-451-86268790 Email: info@coremorrow.com
Fax: +86-451-86267847 Web: www.coremorrow.com

Headquarters: Building I2, No.191 Xuefu Road, Nangang District, Harbin
Shanghai Office: Building 2, No.608 Shengxia Road, Pudong District, Shanghai