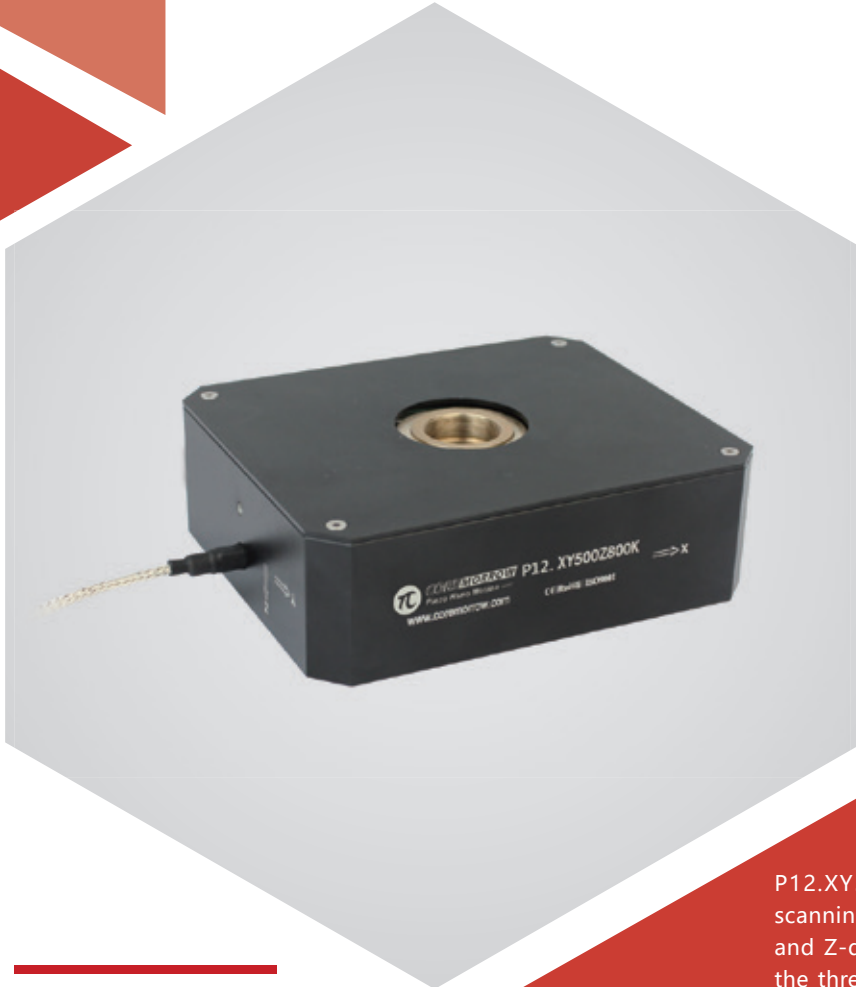


XYZ axes | P12.XY500Z800S/K

Piezo Nanopositioning Stages



Introduction

P12.XY500Z800 is XYZ axes linear motion piezo scanning stage, which can achieve XY stroke 500 μ m and Z-direction stroke 800 μ m, which is suitable for the three-dimensional positioning adjustment of the objective lens.

Characteristics >>

- XYZ linear motion
- XY travel to 500 μ m, Z travel to 800 μ m
- Load capacity to 250g
- Vacuum version available
- For objective XYZ positioning adjustment

Applications >>

- Scanning interference
- Surface measurement
- Optical capture
- Confocal microscopy
- Wafer positioning
- Image processing and stabilization



Harbin Core Tomorrow Science & Technology Co., Ltd.

Tel: +86-451-86268790 Email: info@coremorrow.com
Fax: +86-451-86267847 Web: www.coremorrow.com

Headquarters: Building I2, No.191 Xuefu Road, Nangang District, Harbin
Shanghai Office: Building 2, No.608 Shengxia Road, Pudong District, Shanghai

Technical Data >>

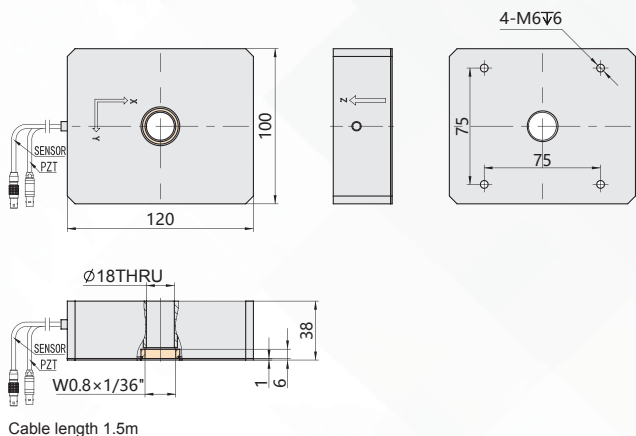
Type	S-Closed loop K-Open loop	P12.XY500Z800S	P12.XY500Z800K	Units
Active axes		X, Y, Z	X, Y, Z	
XY Travel range(0~150V)		500	500	μm/axis±10%
Z Travel range(0~150V)		800	800	μm±10%
Sensor		SGS	-	
Load capacity		250	250	g
XY capacitance		28.8	28.8	μF/axis±20%
Z capacitance		43.2	43.2	μF±20%
XY resolution		14	4	nm
Z resolution		22	6.5	nm
Operating temperature ^[1]		-20~80	-20~80	°C
Material		Steel, Al	Steel, Al	
Size(L×W×H)		120×100×38	120×100×38	mm
Mass(with no cable)		1000	1000	g±5%
Cable length ^[2]		1.5	1.5	m±10mm
Connector ^[2]		-	-	

Note: Max driving voltage could be -20V~150V, 0~120V is recommended for long-term and high-reliable operation. Unless otherwise specified, the above parameters are measured at room temperature about 25° C.

[1] Custom ultralow temperature and ultrahigh vacuum versions are available.

[2] Custom cable length and connector is available.

Note: The parallelism of the moving platform is about 20μm, and the roughness is about 1.6 to 3.2. Please contact the sales engineer for confirmation before purchase.

Drawing >>

Recommended Controllers >>


E01.D3
 LCD, membrane button, up to 625mA
 RS-232/RS-422/USB interface
 Software secondary development



E70
 Small size, 70mA
 RS-232/RS-422/USB interface
 Software secondary development



Harbin Core Tomorrow Science & Technology Co., Ltd.

Tel: +86-451-86268790

Email: info@coremorrow.com

Headquarters: Building I2, No.191 Xuefu Road, Nangang District, Harbin

Fax: +86-451-86267847

Web: www.coremorrow.com

Shanghai Office: Building 2, No.608 Shengxia Road, Pudong District, Shanghai