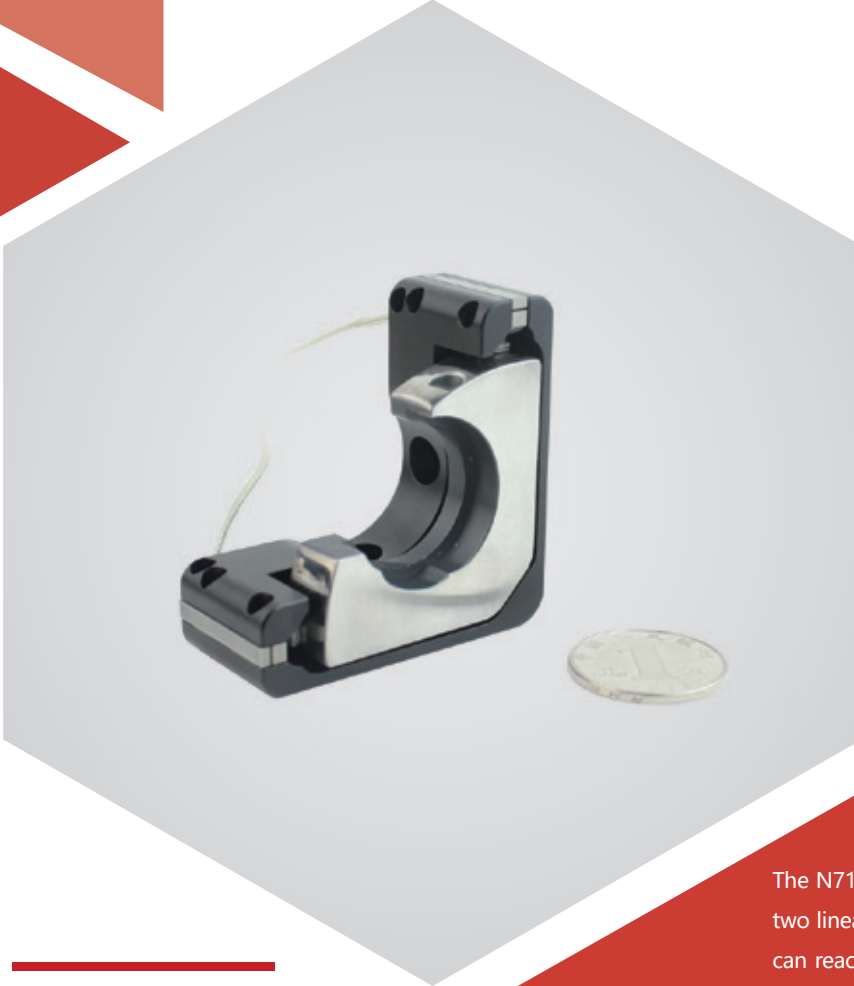


$\theta_x\theta_y$ axes | N71.T4K-B Piezo Motorized Mirror Mounts



Characteristics >>

- Two-dimensional deflection
- Speed up to $2^\circ/s$
- Resolution to $2\mu\text{rad}$
- Self-locking at rest

Applications >>

- Scientific research
- Optics
- Laboratory system construction
- Two-dimensional deflection adjustment of mirror, etc.

Introduction

The N71.T4K-B Mirror Mounts can tilt in θ_x , θ_y , driven by two linear piezo screw actuators, and the adjusting range can reach $\pm 2^\circ$. It has a mounting diameter of $\Phi 25.4\text{mm}$, which is suitable for loading $\Phi 25.4\text{mm}$, $\Phi 25\text{mm}$ optical device. Its resolution can reach $2\mu\text{rad}$, and can achieve self-locking when power off.



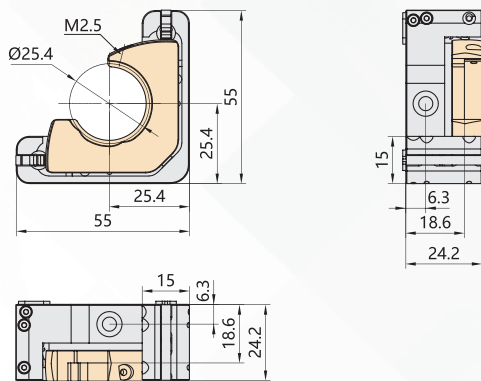
Harbin Core Tomorrow Science & Technology Co., Ltd.

Tel: +86-451-86268790 Email: info@coremorrow.com
Fax: +86-451-86267847 Web: www.coremorrow.com

Headquarters: Building I2, No.191 Xuefu Road, Nangang District, Harbin
Shanghai Office: Building 2, No.608 Shengxia Road, Pudong District, Shanghai

Technical Data >>

Type	N71.T4K-B	Units
Active axes	θ_x, θ_y	
Tilt range	± 2	$^{\circ}$
Mounting diameter	25.4	mm
Speed limit	2	$^{\circ}/s$
Resolution	2	μrad
Operating temperature	10~40	$^{\circ}C$
Storage Temperature	-10~40	$^{\circ}C$
Mass(with cable)	150	$g \pm 5\%$
Material	Al, Steel	
PZT connector	RJ11	
Cable length	2	$m \pm 10mm$
Recommended controller	E53.D1E-J	

Drawing >>

Recommended Controller >>


E53.D1E-J
 1 channel
 analog, digital
 servo control


Harbin Core Tomorrow Science & Technology Co., Ltd.

Tel: +86-451-86268790

Email: info@coremorrow.com

Headquarters: Building I2, No.191 Xuefu Road, Nangang District, Harbin

Fax: +86-451-86267847

Web: www.coremorrow.com

Shanghai Office: Building 2, No.608 Shengxia Road, Pudong District, Shanghai