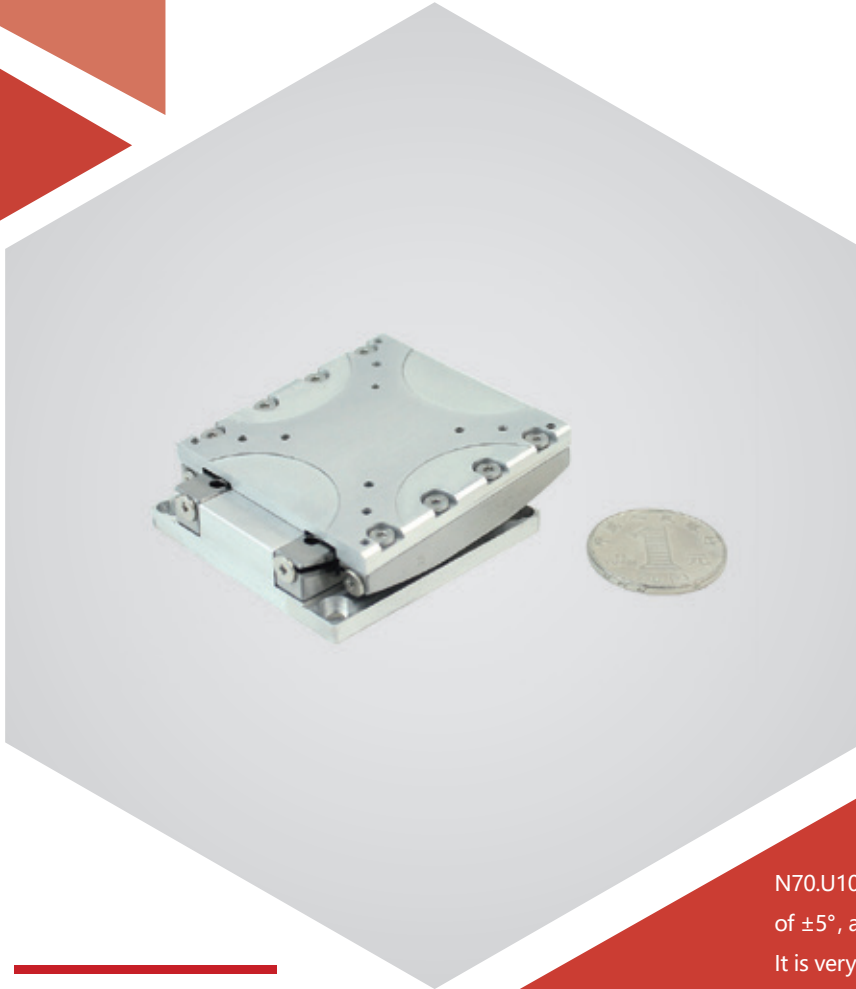


θ_x axis | N70.U10E/K Piezo Tilt Stage



Introduction

N70.U10E/K is a 1-axis θ_x piezo stage with a travel range of $\pm 5^\circ$, and the closed-loop repeatability can reach 0.001° . It is very suitable to use in high precision application field.

Characteristics >>

- θ_x deflection
- Speed up to $3^\circ/s$
- Closed-loop version for high accuracy
- Optional vacuum version

Applications >>

- Image processing and stabilization
- Laser scanning
- Communication field
- Laser beam deflection/ stabilization



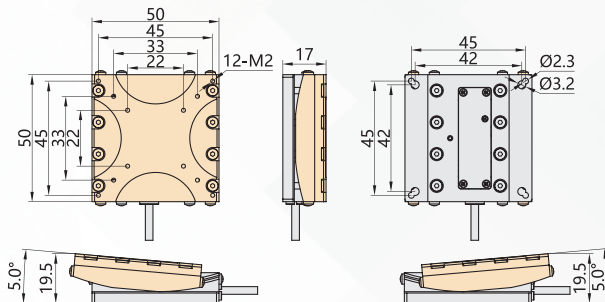
Harbin Core Tomorrow Science & Technology Co., Ltd.

Tel: +86-451-86268790 Email: info@coremorrow.com
Fax: +86-451-86267847 Web: www.coremorrow.com

Headquarters: Building I2, No.191 Xuefu Road, Nangang District, Harbin
Shanghai Office: Building 2, No.608 Shengxia Road, Pudong District, Shanghai

Technical Data >>

Type	N70.U10E	N70.U10K	Units
Active axis	θ_x	θ_x	
Integrated sensor	incremental encoder	-	
Speed limit	3	3	$^{\circ}/s \pm 20\%$
Travel range	± 5	± 5	$^{\circ}$
Central load capacity	5	5	N
Resolution	1	10	μrad
Closed-loop repeatability	0.001	-	$^{\circ}$
Operating temperature	10~40	10~40	$^{\circ}\text{C}$
Storage temperature	-10~40	-10~40	$^{\circ}\text{C}$
Mass	135	120	g
Material	Al, Steel	Al, Steel	

Drawing >>

Recommended Controller >>


E53.D1E-J
 1 channel
 analog, digital
 servo control



Harbin Core Tomorrow Science & Technology Co., Ltd.

Tel: +86-451-86268790

Email: info@coremorrow.com

Headquarters: Building I2, No.191 Xuefu Road, Nangang District, Harbin

Fax: +86-451-86267847

Web: www.coremorrow.com

Shanghai Office: Building 2, No.608 Shengxia Road, Pudong District, Shanghai