

X axis | N56.30K-B1

Linear Piezo Motor



Characteristics >>

- Piezo drive
- High resolution
- Stroke up to 30mm
- Small size

Applications >>

- Atomic force microscope
- Fiber optic docking
- Nano positioning with small load & large travel
- Precision positioning & micro-nano operation of semiconductors, etc.
- Scientific research
- Microfabrication

Introduction

The N56 linear piezo motor adopts piezo micro-drive technology, which uses piezo micro-displacement actuators to achieve high-precision positioning and movement technology. Macro motion linear millimeter-level stroke is achieved after mechanical structure conversion of the micro-deformation of piezo actuator under electric field.



Harbin Core Tomorrow Science & Technology Co., Ltd.

Tel: +86-451-86268790 Email: info@coremorrow.com
Fax: +86-451-86267847 Web: www.coremorrow.com

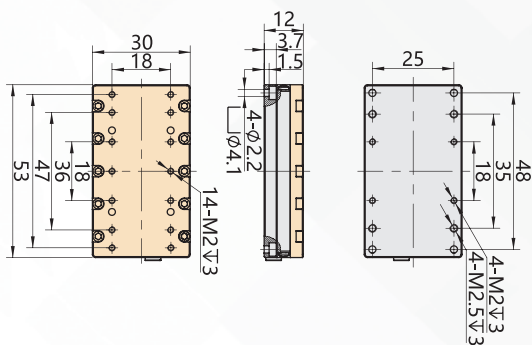
Headquarters: Building I2, No.191 Xuefu Road, Nangang District, Harbin
Shanghai Office: Building 2, No.608 Shengxia Road, Pudong District, Shanghai

Technical Data >>

Type	N56.30K-B1	Units
Active axes	X	
Nominal travel range	30 or ±15	mm
Max speed	5	mm/s
Open loop resolution	<1	μm
Max push/pull force (active)	3	N
Max holding force (passive)	4.5	N
Max load (horizontal direction)	500	g
Max load (vertical direction)	0.1	kg
Axial stiffness	1.5	N/μm±10%
Lateral stiffness	9	N/μm±10%
Operating temperature ^[1]	0~50	°C
Material	Al, stainless steel	
Mass (not include cable)	60	g±10%
Cable length ^[1]	1.5	m±10mm
Voltage connector ^[1]	RJ11 4P4C	

Note: UHV version is available. Custom closed-loop version is available.

[1]: custom is available.

Drawing >>

Recommended Controllers >>


E53.C1K-J
 USB and serial port communication
 Suitable for piezo motor
 24VDC/1A power supply



Harbin Core Tomorrow Science & Technology Co., Ltd.

Tel: +86-451-86268790 Email: info@coremorrow.com
 Fax: +86-451-86267847 Web: www.coremorrow.com

Headquarters: Building I2, No.191 Xuefu Road, Nangang District, Harbin
 Shanghai Office: Building 2, No.608 Shengxia Road, Pudong District, Shanghai