

X axis | N56.20E-B1

Linear Piezo Motor



Characteristics >>

- Piezo drive
- High resolution
- Stroke up to 20mm
- Small size

Applications >>

- Atomic force microscope
- Scientific research
- Fiber optic docking
- Microfabrication
- Nano positioning with small load & large travel
- Precision positioning & micro-nano operation of semiconductors, etc.

Introduction

The N56 linear piezo motor adopts piezo micro-drive technology, which uses piezo micro-displacement actuators to achieve high-precision positioning and movement technology. Macro motion linear millimeter-level stroke is achieved after mechanical structure conversion of the micro-deformation of piezo actuator under electric field.



Harbin Core Tomorrow Science & Technology Co., Ltd.

Tel: +86-451-86268790 Email: info@coremorrow.com
Fax: +86-451-86267847 Web: www.coremorrow.com

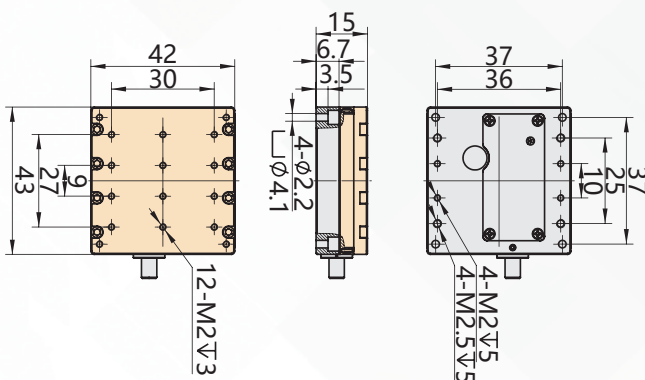
Headquarters: Building I2, No.191 Xuefu Road, Nangang District, Harbin
Shanghai Office: Building 2, No.608 Shengxia Road, Pudong District, Shanghai

Technical Data >>

Type	N56.20E-B1	Units
Active axes	X	
Integrated sensor	Incremental encoder	
Travel range	20 or ± 10	mm
Speed limit	3	mm/s $\pm 20\%$
Resolution	0.005	μm
Max force	3	N
Repeatability	0.12	$\mu\text{m}\pm 20\%$
Push/pull force(Active)	3	N
Holding force(Passivity)	4.5	N
Max load (horizontal direction)	0.5	kg
Max load (vertical direction)	0.1	kg
Axial stiffness	1.5	N/ $\mu\text{m}\pm 10\%$
Lateral stiffness	9	N/ $\mu\text{m}\pm 10\%$
Operating temperature ^[1]	0~50	$^{\circ}\text{C}$
Material	Al, Steel	
Mass (not include cable)	75	g $\pm 10\%$
Cable length ^[1]	1.5	m $\pm 10\text{mm}$
Voltage connector ^[1]	RJ11 4P4C	

Note: UHV version is available. Custom closed-loop version is available.

[1]: custom is available.

Drawing >>

Recommended Controllers >>


E53.D1E-J
 USB and serial port communication
 Suitable for piezo motor
 24VDC/1A power supply



Harbin Core Tomorrow Science & Technology Co., Ltd.

Tel: +86-451-86268790

Email: info@coremorrow.com

Headquarters: Building I2, No.191 Xuefu Road, Nangang District, Harbin

Fax: +86-451-86267847

Web: www.coremorrow.com

Shanghai Office: Building 2, No.608 Shengxia Road, Pudong District, Shanghai