

X axis | N31.X100E/K

Linear Piezo Motor



Characteristics >>

- Large blocking force
- Automatic zero position after power-on
- Automatic return after accidental touch for servo version
- Optional grating sensor
- Wear-resistant material, vacuum non-magnetic compatible

Applications >>

- Wafer inspection
- Profilometry
- Nano lithography
- Nanotechnology and metrology
- Microscopy
- Semiconductor technology
- Surface measurement technique
- Motion in strong magnetic fields or vacuum

Introduction

N31.X100E/K linear piezoelectric motor adopts stick-slip principle, and piezo step direct drive. The linear motion range can be to 100mm, and the resolution can reach sub-nanometer level. Optional servo sensors (incremental encoder) is for high positioning accuracy and motion platform are available.



Harbin Core Tomorrow Science & Technology Co., Ltd.

Tel: +86-451-86268790 Email: info@coremorrow.com
Fax: +86-451-86267847 Web: www.coremorrow.com

Headquarters: Building I2, No.191 Xuefu Road, Nangang District, Harbin
Shanghai Office: Building 2, No.608 Shengxia Road, Pudong District, Shanghai

Technical Data >>

Type	S-Closed loop K-Open loop	N31.X100E	N31.X100K	Units
Active axes		X	X	
Integrated sensor		Incremental encoder	-	
Travel range		100 or ±50	100 or ±50	mm±0.5mm
Speed limit		5	5	mm/s
Resolution		< 50	1	nm
Linearity		2	-	µm
Repeatability		2	-	µm
Push/pull force(Active)		30	30	N
Holding force(Passivity)		40	40	N
Max load (horizontal direction)		5	5	kg
Operating temperature ^[1]		0~50	0~50	°C
Mass with cable		640	640	g±5%
Material		Al, Steel	Al, Steel	
Size (L×W×H)		170×55×30	170×55×30	mm
Cable length ^[2]		1.5	1.5	m±10mm
Sensor/voltage connector		-	-	
Recommended controller		E71.D4E/C4K-H		

Remarks:

[1] Custom is available.

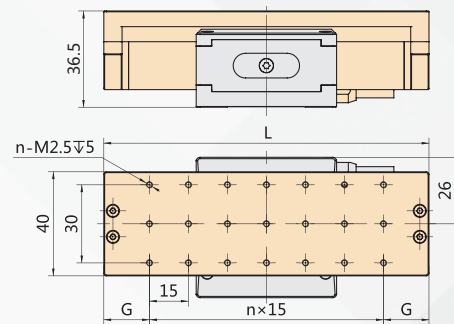
[2] Custom cable length and connector are available.

Optional Motion Platform >>



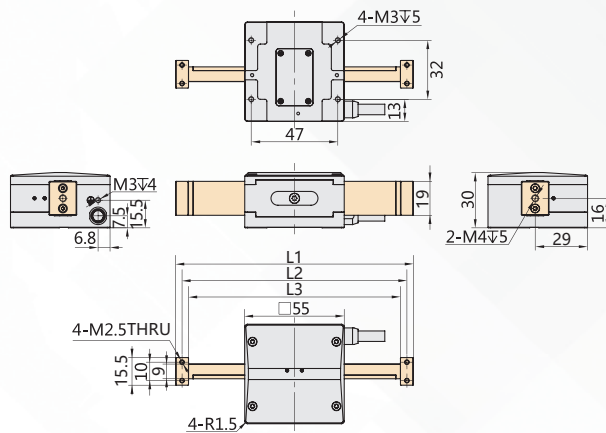
Drawing(With moving surface) >>

Types	L	G	n×15	n×M2.5
N31.X100E/K	170	10	10×15	33×M2.5



Drawing >>

Types	L	L1	L2
N31.X100E/K	170	163	156



Recommended Controller >>



E71.D4E-H/E71.C4K-H

4 channels output, digital control

USB, RS-422, RS-232 communication

Ave.current to 75mA



Harbin Core Tomorrow Science & Technology Co., Ltd.

Tel: +86-451-86268790 Email: info@coremorrow.com

Fax: +86-451-86267847 Web: www.coremorrow.com

Headquarters: Building I2, No.191 Xuefu Road, Nangang District, Harbin

Shanghai Office: Building 2, No.608 Shengxia Road, Pudong District, Shanghai