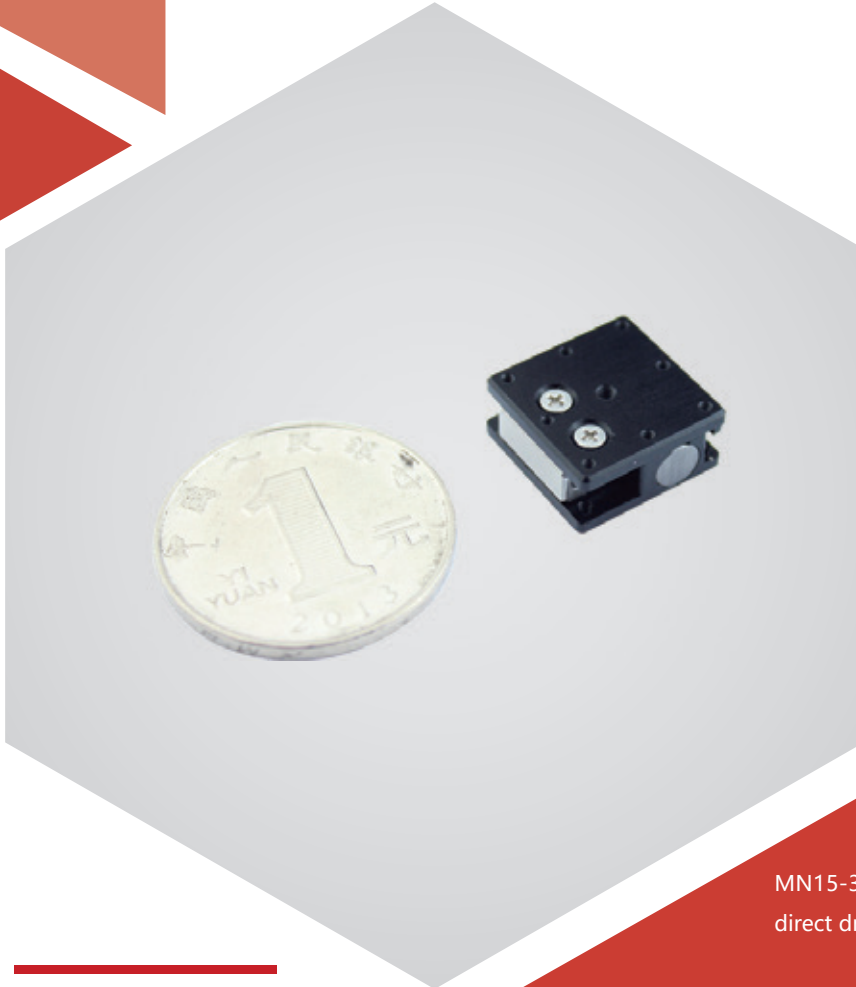


X axis | MN15-3.5mm

Linear Piezo Motor



Introduction

MN15-3.5mm linear piezo motor adopts piezo step direct drive, and features long travel and small size.

Characteristics >>

- Piezo drive
- Small size
- Nanometer resolution
- 3.5mm travel
- Optional vacuum version or multiple axes version

Applications >>

- Wafer inspection
- Profilometry
- Nano lithography
- Nanotechnology and metrology
- Microscopy
- Semiconductor technology
- Surface measurement technique
- Motion in strong magnetic fields or vacuum



Harbin Core Tomorrow Science & Technology Co., Ltd.

Tel: +86-451-86268790

Email: info@coremorrow.com

Headquarters: Building I2, No.191 Xuefu Road, Nangang District, Harbin

Fax: +86-451-86267847

Web: www.coremorrow.com

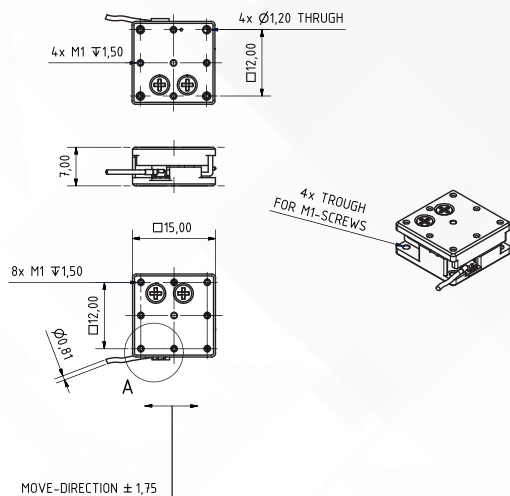
Shanghai Office: Building 2, No.608 Shengxia Road, Pudong District, Shanghai

Technical Data >>

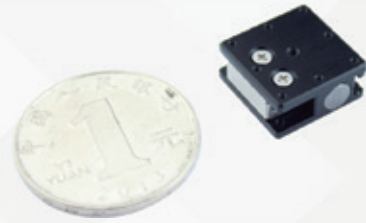
Type	MN15-3.5mm	Units
Width	15	mm
Height	7	mm
Depth	15	mm
Travel	3.5	mm
Speed	1.5	mm/s
Mass	6	g
Load capacity		
Torque Mx	4	Ncm
Torque My	4	Ncm
Torque Mz	4	Ncm
Blocking force Fx	3	N
Fy, Fz	20	N
Resolution(cal.)		
Single step	~450	nm
1/16 step	~30	nm
1/64 step	~10	nm
1/2 step	~250	nm
Double steps	~900	nm
Guiding accuracy (unloaded)		
Yaw angle	20	arc sec
Pitch angle	60	arc sec
Vertical deviation	1	μm
Lateral deviation	2	μm

Note: 2-axis or 3-axis motion versions are available. Optional vacuum version.

Drawing >>



Small Size >>



Recommended Controllers >>



E53.D1E/C1K-J
 Software control
 suitable for 1-axis stage
 Open loop or servo control



E71.D3E/C3K-J
 Software control
 suitable for 2 or 3-axis stage
 Open loop or servo control



Harbin Core Tomorrow Science & Technology Co., Ltd.

Tel: +86-451-86268790 Email: info@coremorrow.com
 Fax: +86-451-86267847 Web: www.coremorrow.com

Headquarters: Building I2, No.191 Xuefu Road, Nangang District, Harbin
 Shanghai Office: Building 2, No.608 Shengxia Road, Pudong District, Shanghai