

3 Channels | E70.D3S/C3K-L Piezo Controller



Characteristics >>

- 3 channels output
- Digital and analog piezo controller
- High bandwidth
- Low ripple, servo control

Applications >>

- Driving piezo actuator
- Driving piezo nanopositioning stage
- Driving piezo objective scanner
- Driving piezo shifter
- Driving FTS fast tool positioner
- Driving piezo scanning platform
- Driving capacitive load

Introduction

The E70.D3S/C3K-L piezoelectric controller is a three-channel piezoelectric controller designed based on the standard E70 piezoelectric controller. It can carry out digital communication through serial port, USB or network port.



Harbin Core Tomorrow Science & Technology Co., Ltd.

Tel: +86-451-86268790

Email: info@coremorrow.com

Headquarters: Building I2, No.191 Xuefu Road, Nangang District, Harbin

Fax: +86-451-86267847

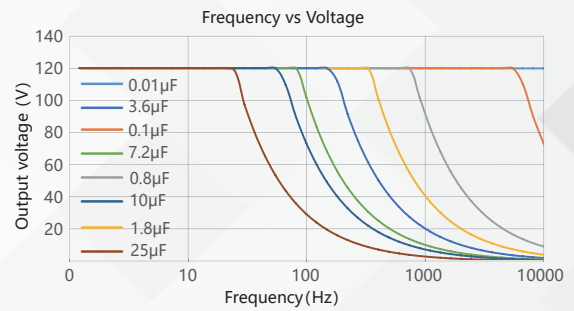
Web: www.coremorrow.com

Shanghai Office: Building 2, No.608 Shengxia Road, Pudong District, Shanghai

Technical Data >>

Type	E70.C3K-L	E70.D3S-L
Functions	Digital and analog piezo controller	
Channels	3	
Nominal analog input(V)	-1.67~10 (±10V for constant voltage version)	
Nominal output voltage(V)	-20~120(Optional -20~100/150 and one constant voltage)	
Input power(W)	56	
Peak current(A)	1.1/channel	
Ave. current(mA)	70/channel	
Bandwidth(Hz)	10k/channel	
Ripple(mV)	5/channel (2.2μF)	
PZT and sensor connector	ECG.2B.312.CLV	
Control input connector	SMB	
Sensor type	-	SGS
Servo	-	PI+Low pass+Notch filter
Sensor output voltage(V)	-	0~10(±10V for constant voltage version)
Sensor output connector	-	EPG.0B.304.HLN
Sensor output ripple(mV)	-	10
Communication	RS-232/422(DB9), USB-B, Ethernet	
Baud rate	9600, 38400, 57600, 115200	
Settable baud rate for software secondary development	9600, 19200, 38400, 57600, 76800, 115200, 128000, 230400, 256000	
PC software control function	Output voltage & displacement, waveform control, setting parameters	
PC software waveform control	Programmable/standard waveform output	
Secondary development	VC++, Matlab, LabView, DLL dynamic link library functions, etc	
Operating temperature(° C)	0~50	
Over-current protection	Yes	
Static power(W)	11	
Cooling method	Fan	
Size(mm) (L×H×D)	201×170×45.5	
Mass(kg)	1.6	
Power supply	24V DC3A, DC-022B (ø2.5)	
Control way	Analog/digital signal	

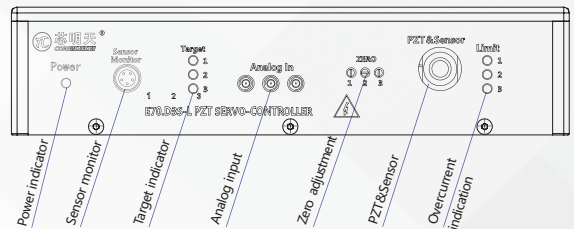
Curves >>



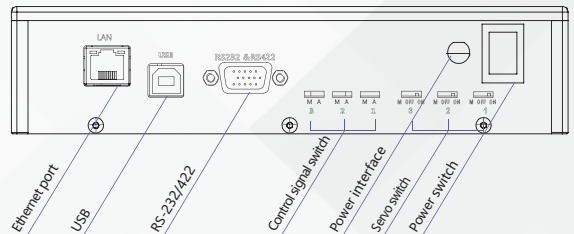
Disclaimer: The data here are typical, only for reference. Some variations will occur for different batch.

Panel Introduction >>

front panel

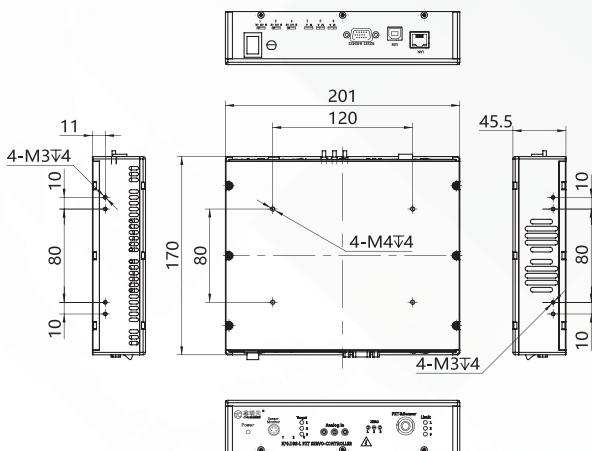


Rear panel



Note: E70.C3K-L has no servo control function.

Drawing >>



Harbin Core Tomorrow Science & Technology Co., Ltd.

Tel: +86-451-86268790 Email: info@coremorrow.com
 Fax: +86-451-86267847 Web: www.coremorrow.com

Headquarters: Building I2, No.191 Xuefu Road, Nangang District, Harbin
 Shanghai Office: Building 2, No.608 Shengxia Road, Pudong District, Shanghai