

2 Channels | E01.A2 Bipolar Piezo Controller



Introduction

The output voltage range of this series of bipolar piezo controllers can reach $\pm 320V$, which can be used to drive piezo products such as piezo scanning tubes, and the number of channels can be freely selected.

Characteristics >>

- Bipolar output
- Output voltage up to $\pm 320V$
- Small signal bandwidth up to 5kHz
- Suitable for driving piezo scanning tubes, etc.

Applications >>

- Driving piezo actuator
- Driving piezo nanopositioning stage
- Driving piezo objective scanner
- Driving piezo shifter
- Driving FTS fast tool positioner
- Driving piezo scanning platform
- Driving capacitive load



Harbin Core Tomorrow Science & Technology Co., Ltd.

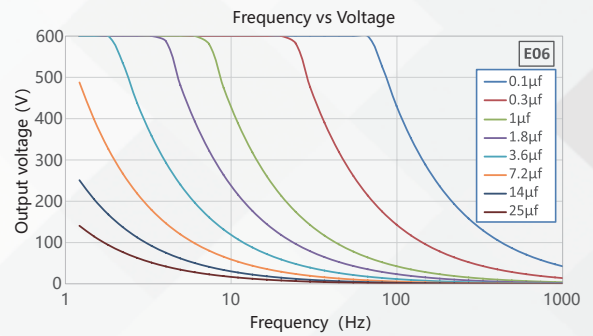
Tel: +86-451-86268790 Email: info@coremorrow.com
Fax: +86-451-86267847 Web: www.coremorrow.com

Headquarters: Building I2, No.191 Xuefu Road, Nangang District, Harbin
Shanghai Office: Building 2, No.608 Shengxia Road, Pudong District, Shanghai

Technical Data >>

Type	E01.A2
Channels	2
Analog input(V)	-10~+10
Output voltage(V)	-320~+320
Ripple(mV)	20
Voltage stability	<0.1%F.S./8 hours
Input impedance(kΩ)	100±20%
Unloaded bandwidth(kHz)	1
Ave. Current(mA)	5
Peak current(mA)	15
Bandwidth (1/10 signal)(kHz)	5
Voltage gain	30
Power supply	AC 220V±10% 50Hz±10%
Current limit	Short-circuited proof, 8~9mA
L×H×D(mm)	280×175×375
Basic control way	Analog control

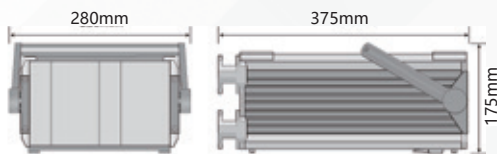
Curves >>



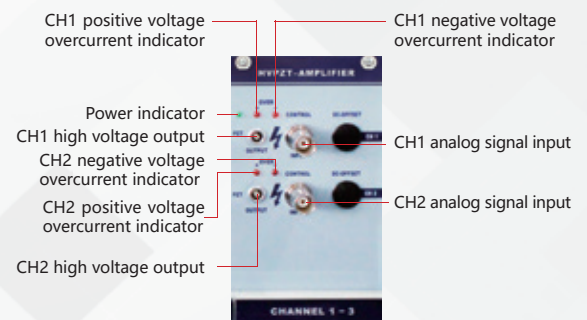
Disclaimer: The data here are typical, only for reference. Some variations will occur for different batch.

Drawing >>

E01



Panel Introduction >>


Harbin Core Tomorrow Science & Technology Co., Ltd.

 Tel: +86-451-86268790 Email: info@coremorrow.com
 Fax: +86-451-86267847 Web: www.coremorrow.com

 Headquarters: Building I2, No.191 Xuefu Road, Nangang District, Harbin
 Shanghai Office: Building 2, No.608 Shengxia Road, Pudong District, Shanghai