

6 Channels | E00.A3AL

Piezo Amplifier with Six Outputs



Introduction

E00.A3AL piezo amplifier is a customized one with 6 outputs, and each channel features different output voltage and current that is to satisfy different applications.

Characteristics >>

- 6 outputs
- Output voltage -20 to 150V/200V
- Short-circuited proof
- Peak current up to 1A

Applications >>

- Driving piezo actuator
- Driving piezo nanopositioning stage
- Driving piezo objective scanner
- Driving piezo shifter
- Driving FTS fast tool positioner
- Driving piezo scanning platform
- Driving capacitive load



Harbin Core Tomorrow Science & Technology Co., Ltd.

Tel: +86-451-86268790

Email: info@coremorrow.com

Headquarters: Building I2, No.191 Xuefu Road, Nangang District, Harbin

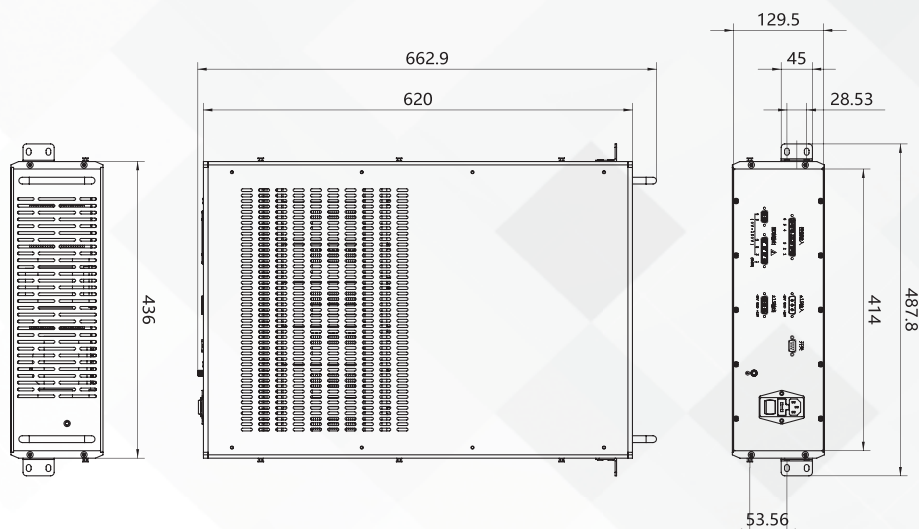
Fax: +86-451-86267847

Web: www.coremorrow.com

Shanghai Office: Building 2, No.608 Shengxia Road, Pudong District, Shanghai

Technical Data >>

Type	E00.A3AL
Channels	6
Input voltage range(V)	Channel 1: -1~10 Channel 2 to 6: -1.33~10
Output voltage range(V)	Channel 1: -20~200 Channel 2 to 6: -20~150
Ripple(mV)	5
Unloaded bandwidth(kHz)	Channel 1: ≥ 20 Channel 2 to 6: ≥ 10
Ave.current(mA)	Channel 1: 175 Channel 2 to 6: 233
Peak current(A)	1
PZT connector	Channel 1 to 4: 4W4 D-SUB Channel 5 to 6: 2W2 D-SUB
Analog input connector	13W6A D-SUB
Operating temperature(° C)	0~50
Current limit	Short-circuited proof
Output short-circuited current(mA)	50
Static dissipation(W)	30
L×H×D(mm)	436×129.5×620
Power supply	AC 220V±10, 50Hz±10%
Mass(kg)	21

Drawing >>

Harbin Core Tomorrow Science & Technology Co., Ltd.

Tel: +86-451-86268790

Email: info@coremorrow.com

Headquarters: Building I2, No.191 Xuefu Road, Nangang District, Harbin

Fax: +86-451-86267847

Web: www.coremorrow.com

Shanghai Office: Building 2, No.608 Shengxia Road, Pudong District, Shanghai