

XD700.100S-B Piezo Actuator

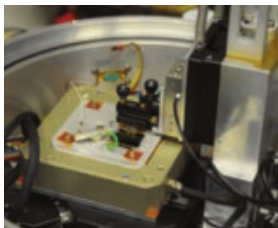
User Manual

Version: V1.0



This document describes the following products:

- XD700.100S-B
- XD700.100K-B



DECLARATION

Thank you for choosing CoreMorrow's products!

This user manual is applicable to piezo actuator. For your smooth and correct use of this product, please read this manual carefully before use. Please follow the instructions in the manual installation and use procedures. Improper operation may cause injury to the operator or damage to the product. Therefore, the entire installation and operation process should be completed by a professional with a certain foundation and understanding of the product principle, or under the guidance of a professional.

If the product is disassembled or modified without permission, our company will not be responsible for any consequences arising therefrom.

It is illegal to change the product model and other false sales of our products. Users are advised to be vigilant. Once you find out or be deceived, contact us directly, we will crack down on illegal activities and prevent deception and economic losses. CoreMorrow will certainly investigate legal responsibility of the illegal subject and related parties.

With the continuous development and innovation of technology, we will add the latest information to the manual as needed without notice. Please contact us if you need any information.

Contents

1. Introduction	2
1.1 Purpose and content	2
1.2 Symbol and meaning.....	2
1.3 Expected reader.....	2
1.4 Manual lost replacement	2
2. Safety Guide.....	3
3. Product Overview	4
3.1 Product Introduction	4
3.2 Product Features	4
3.3 Motion direction	4
4. Operating environment	4
5. Installation and operation.....	5
5.1 Installation and connection	5
5.2 Fixed and loaded.....	5
5.3 Operating.....	7
6. Transportation and inspection	7
6.1 Transportation.....	7
6.2 Unpacking inspection.....	8
7. Maintenance and processing.....	8
7.1 Problem Processing	8
7.2 Daily maintenance	9
8.Customer Service	10
9.Contact us.....	10

1. Introduction >>

1.1 Purpose and content

- ▶ The manual is mainly for your smooth and correct use of piezo actuator.
- ▶ The manual contains all necessary information for piezo actuator.
- ▶ The manual describes the precautions during installation and use.

1.2 Symbol and meaning



DANGER: Improper handling may could cause injury to the operator.



Attention: Improper handling can cause damage to the equipment.

1.3 Expected reader

The manual default user has knowledge of piezo actuators and controllers, and has a basis for its installation and use.

1.4 Manual lost replacement

If the manual is accidentally lost, please contact our customer service department, we will send you the latest version of user manual.

2. Safety Guide

In order to prevent damage to the product caused by improper operation, please pay attention to following points when using:



Temperature changed and pressure will charge the piezo actuator. Piezo actuator will remain charged for a period of time disconnected from the controller, so the operator should pay attention when using it:

- ▶ Do not disassemble the piezo actuator;
- ▶ Discharge piezo actuator before installation, it could be achieved by connecting to the controller;
- ▶ Do not pull out the controller during operation;
- ▶ Before using, please check whether the connecting wire of the product is in good condition, whether the product and the controller are effectively protected from grounding, in case of danger, please strictly regulate the operation during operation, do not touch it (up to 150V voltage) after power on.



In order to prevent damage to the product caused by improper operation, please pay attention to following points when using:

- ▶ Piezo actuator is used as much as possible in dust-free, oil-free, lubricant-free environments;
- ▶ It is recommended that the load not exceed the bearing capacity of the product. Pay attention to the torque when loading. Do not twist or twist the load surface to avoid damage to the structure;
- ▶ Recommended voltage 0~120V for long-term operation to extend lifetime;
- ▶ Do not disassemble the product to avoid product damage;
- ▶ Avoid stretching and bending the cable interface to prevent damage to the cable;
- ▶ Please use the dedicated cable provided by us to connect piezo actuator and piezo controller;
- ▶ Please do not use cable extension wire, if need longer cable, please contact us.

3. Product Overview

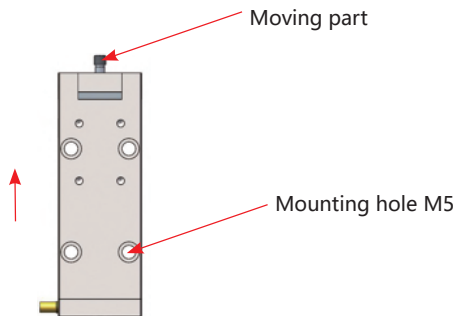
3.1 Product Introduction

XD700 series piezo actuators are piezoelectric actuators with a mechanically packaged shell and an air-cooled heat dissipation interface. It is easy to install and fix with the external mechanical structure, and is suitable for dynamic application scenarios.

3.2 Product Features

- ▶ Z-direction motion
- ▶ High precision of closed loop positioning
- ▶ Fast response
- ▶ Custom cooling
- ▶ Customizable

3.3 Motion direction



4. Operating environment

- ▶ Operating temperature: -20~80°C
- ▶ Environment free of dust, clean, and non-corrosive substances
- ▶ Relative humidity: <60%
- ▶ Recommended voltage between 0 and 120V for long-term and high-reliability operation.

5. Installation and operation

Before installation, first check the safety, such as whether the cable is damaged or broken, and whether the power supply has grounding protection.

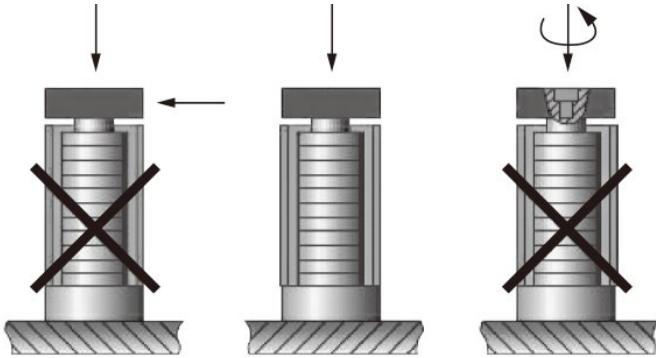
5.1 Installation and connection

1. Ensure that the installation plane is flat.
2. Connect the load, the load should not exceed the max load that the piezo actuator could bear. Pay attention to the clamping surface with a wrench when installing. Please refer to the size of each actuator to select the appropriate connection form.
3. Mount the piezo actuator on the measuring platform or fix it on the measuring plane through the optical platform adapter. Please select the appropriate screws according to the structural dimension drawing for fixed installation. Pay attention to the clamping surface with the wrench when installing. Torque is generated during installation to avoid damage to piezo actuator.
4. Connect the piezo actuator to the controller.
5. If you have any questions, please contact us.

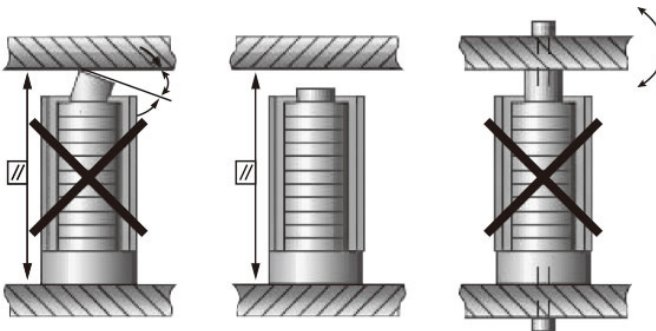
5.2 Fixed and loaded

In order to prevent piezo actuator being damaged during use, the following points need to be noted:

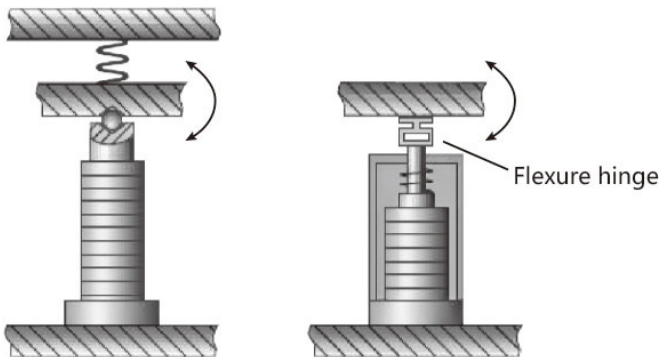
- ▶ Please do not drive piezo actuators beyond the voltage range in parameter.
- ▶ Do not drop piezo actuator and avoid any form of mechanical impact.
- ▶ Preload piezo actuators could withstand tensile force (not the contraction of the piezo actuator), but could not withstand shear, torque and bending moments. These conditions may cause damage to the piezo ceramic inside the actuator. Shear, torque and bending moments could be removed by ball head or suitable guiding mechanism.



Avoiding shear and torque



Avoiding bending moments



Ball head or flexible hinge avoids shear, torque and bending moments

5.3 Operating

Please confirm the following information before starting the power supply:

- ▶ The environment meets the requirements of the piezo actuator working environment.
- ▶ The fixing screws must be tightened.

The above information is determined to perform controller related operations:

1. Please carefully read the piezo controller user manual selected before operating, and then start the controller.
2. Set the piezo controller to zero;
3. After checking for no abnormalities, input voltage values according to requirements (keyboard or analog control);
4. Please set the piezo controller to zero after used;

Please do not touch the product during the operation, avoid affecting the actuator performance or even damage the actuator.

The resolution of piezo actuator is not limited. It depends on the performance of piezo controller. In order to better achieve the motion accuracy, it is recommended to use CoreMorrow piezo controller. For the operation of piezo controller, please refer to piezo controller usual manual.

6. Transportation and inspection

6.1 Transportation

Piezo actuator is packed in carton. The transportation is carried out under the condition of packaging. This product can be transported by various means of transportation under normal conditions. During transportation, it should avoid direct rain and snow, avoid contact with corrosive substances, and avoid strong collision, try to avoid improper behavior such as squeezing, irregular placement.

6.2 Unpacking inspection

Please check below information:

- ▶ Before opening the package, please carefully check the packaging for damage, bruising, wetting, moisture, deformation, etc.;
- ▶ Please check the parts on a case-by-case basis based on the supply contract and the packing list;
- ▶ Whether there is obvious damage on the surface of the product;
- ▶ Whether the product identification is clear and complete;
- ▶ Whether the connector is loose, the connection line is broken or not, etc.

If any of the above occurs, please make a detailed record and take a photo, and please contact us immediately.

Precautions:

- ▶ Please handle gently when unpacking to avoid permanent damage to the piezo actuator caused by bumps;
- ▶ Please do not use heavy tools or use rough methods to open them;
- ▶ Please do not discard all packaging materials for return shipments.

7. Maintenance and processing >>

7.1 Problem Processing

Common problems are shown in the following table:

Problem Description	Possible reasons	Solutions
No displacement or displacement becomes smaller	The cable is not connected correctly or is in faulty contact.	Check the cable connection
	Excessive load	Loaded by product max load
	Sensor zero drift	Calibrate the sensor

Reduced accuracy	The installation base is uneven	Mount the actuator on flat surface
	Loose connection	Fastening connection
	Wiring is wrong	Check the wiring is correct
Vibration or inaccurate positioning at start-up	The parameters are incorrect.	Stop immediately, check the parameter settings
	Resonance	operating frequency less than the resonant frequency

If the user has problems that could not be solved. Please record the fault situation and contact with us. The professional technical engineer would help solve the problem.

Problems caused by improper operation are not covered by the warranty;

CoreMorrow is not responsible for any problems caused by dismantling the peizo actuator without permission.

7.2 Daily maintenance

If the piezo actuator is not used for a long time, please store it in an room environment with no dust, good ventilation, clean and non-corrosive substances.

Please do not loosen the screws on the actuator structure, avoiding to affect the accuracy of the .

Daily cleaning:

Please disconnect the piezo actuator to controller, then clean the surface of it.

When cleaning, first wipe a small amount of detergent with a towel and gently wipe the surface of the piezo actuator, then wash it with alcohol. Please do not use ultrasonic waves for cleaning.

When cleaning the surface, try not to pick up the product. If it is necessary to pick up, please place a sponge under the piezo actuator for protection, the piezo actuator should not be too high from the sponge to prevent the piezo actuator from falling off.

8. Customer Service

If you have questions about the products you are currently using, please let us know the following information:

- ▶ Piezo actuator series number and related number;
- ▶ Controller model for this product;
- ▶ Software driver version for this product;
- ▶ Computer operating system for installing supporting software.

9. Contact us

CoreMorrow Ltd.

Tel: +86-451-86268790

Email: info@coremorrow.com

Website: www.coremorrow.com

Address: Building I2, No.191 Xuefu Road, Nangang District, Harbin, HLJ, China

CoreMorrow Official and CTO WeChat are below:

